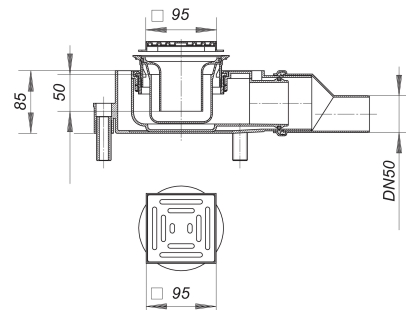


## floor drain CIRCO 50.2, DN 50, 100 x 100 mm

Part number: 513526

GTIN: 4001636513526

Rebate group: 5



### Description:

floor drain CIRCO 50.2, DN 50, 100 x 100 mm  
conforming to DIN EN 1253  
only for use with CeraBoard shower underlays

specification:

- lateral adjustable inner casing (+/- 15 mm) for connecting CeraBoard
- height adjustable levelling legs
- threaded valve
- removable trap insert, 50 mm water seal
- temporary blanking plate and assembly key

material:

polypropylene,  
grate 304 stainless steel, load class K 3 (300 kg)  
outlet DN 50 horizontal, frame ABS, 100 x 100 mm

### Flow rates tested to DIN EN 1253:

Nominal diameter	Product standard	Min. flow rate according to norm	Water level according to norm
DN 50	DIN EN 1253	0.80 l/s	20.00 mm

### Spare parts:

501011 grate E 90, 90 x 90 mm

495716 frame CK 10, 100 x 100 mm