

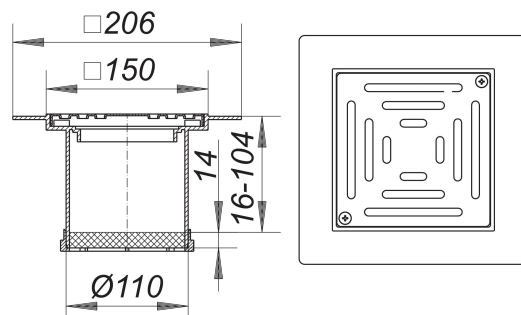
---

## grating PVC-KEN 10, secured grate, 150 x 150 mm

---

Part number: 510037  
GTIN: 4001636510037  
Rebate group: 3

---



---

### Description:

grating PVC-KEN 10, secured grate, 150 x 150 mm  
used with floor drain types 40, 42 and 46  
version with flange for securing flexible flooring  
spigot PVC, extendable with DN 100 plastic pipe  
frame PVC, 150 x 150 mm  
grate 304 stainless steel, secured, load class K 3 (300 kg)

Some of these gratings can be supplied with d: 103 mm spigot where its use is allowed. Please enquire.

### Spare parts:

495013 drainage ring S 10