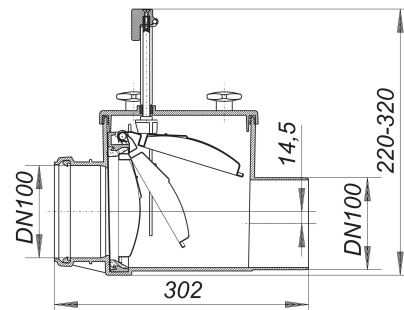
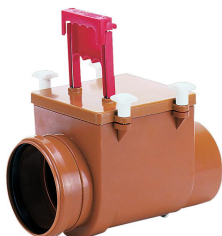


## anti-flooding valve Stausafe H, DN 100

Part number: 661166

GTIN: 4001636661166

Rebate group: 3



### Description:

anti-flooding valve Stausafe H, DN 100  
for use with rain water systems

specification:

- self-closing stainless steel flap
- manually operated lock
- stainless steel pivots
- easy to maintain ABS housing
- inspection cover with wingnuts can be opened for maintenance without tools

Dimensions of Dallmer anti-flooding valves on page XXX.

### Spare parts:

664020 wing nuts for Stausafe (4 pieces), M 8

664037 cover seal for Stausafe DN 100/DN 125

664075 grab for Stausafe H and RS, DN 100/DN 1

664167 socket for Stausafe DN 100