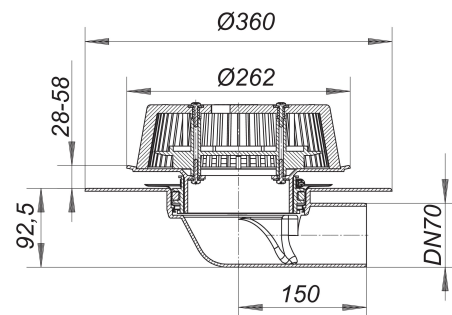


power overflow drain 86 D FPO-PP, DN 70

Part number: 671387
 GTIN: 4001636671387
 Rebate group: 10



Description:

power overflow drain 86 D FPO-PP, DN 70

conforming to DIN EN 1253

flat overflow drain for installation into the thermal roof insulation with minimum 120 mm, with extra wide flange for welding FPO-PP membranes directly

specification:

- overflow upstand height adjustable 28 - 58 mm
- domed grate, secured

material:

polypropylene, UV-stabilized

Flow rates tested to DIN EN 1253:

Nominal diameter	Min. flow rate according to norm	Water level according to norm	Flow rate at water level 5 mm	Flow rate at water level 15 mm	Flow rate at water level 25 mm	Flow rate at water level 35 mm	Flow rate at water level 45 mm	Flow rate at water level 55 mm	Flow rate at water level 65 mm
DN 70	1.70 l/s	35.00 mm	1.00 l/s	3.80 l/s	3.90 l/s	4.10 l/s	4.20 l/s	4.30 l/s	4.50 l/s
DN 70	1.70 l/s	35.00 mm	0.70 l/s	3.20 l/s	7.30 l/s	12.00 l/s	15.60 l/s	16.00 l/s	16.00 l/s
DN 70	12.00 l/s	55.00 mm	0.70 l/s	3.80 l/s	7.50 l/s	12.10 l/s	17.70 l/s	17.90 l/s	17.90 l/s

Spare parts: