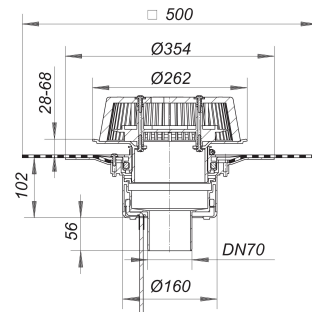


## overflow drain SuperDrain type 62 H DallBit, heated, DN 70

Part number: 671592  
 GTIN: 4001636671592  
 Rebate group: 10



### Description:

overflow drain SuperDrain type 62 H DallBit, heated, DN 70  
 conforming to DIN EN 1253

for use with a calculated siphonic roof drainage system, with factory-fitted collar of 5.0 mm modified bitumen membrane, 500 x 500 mm, welded to the flange and clamped with a stainless steel clamp ring

specification:

- SuperDrain-insert
- insulated drain body
- outlet vertical
- overflow upstand height adjustable 28 - 68 mm
- domed grate, secured

material:

polypropylene, UV-stabilized

H = roof drain heated version

Connect to 230 V supply, conforming to VDE 0721, Part 1/3.78

Power per drain: 15 watts

Current per drain: 0.06 amps

Suggested current per roof area: 16 amps

### Flow rates tested to DIN EN 1253:

Nominal diameter	Min. flow rate according to norm	Water level according to norm	Flow rate at water level 5 mm	Flow rate at water level 15 mm	Flow rate at water level 25 mm	Flow rate at water level 35 mm	Flow rate at water level 45 mm	Flow rate at water level 55 mm	Flow rate at water level 65 mm
DN 70	12.00 l/s	55.00 mm	0.70 l/s	3.40 l/s	6.70 l/s	11.20 l/s	17.30 l/s	17.40 l/s	17.40 l/s

### Spare parts: