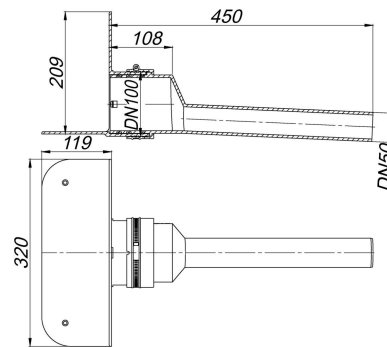
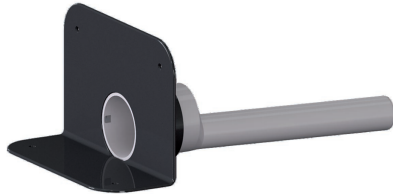


18. June 2021

**attic drain FPO-PP, DN 50**

Product No. **635389**  
 EAN: 4001636635389  
 Discount group: 10



drain with angled fixed flange for drainage through the parapet;  
 moulded in PP with extra wide flange for welding FPO-PP membranes directly

specification  
 – side outlet, 3 degrees

material  
 polypropylene, UV-stabilized

Product No.	Description	Dimensions
635464	drainage element for attic drains, d: 110	d: 110 mm
635471	emergency drainage element for attic drains, d: 110 mm	d: 110 mm