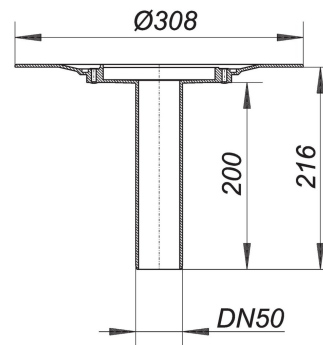


18. June 2021

balcony drain body type 84 FPO-PP, DN 50

Product No. **837127**
 EAN: 4001636837127
 Discount group: 3



with extra wide flange for welding FPO-PP membranes directly

specification:

- vertical outlet
- temporary blanking plate

material:

polypropylene, UV-stabilized

Product No.	Description	Dimensions
510198	grating DER S 10/120, 120 x 120 mm	
510006	grating E 10, 100 x 100 mm	100 x 100 mm
510310	grating E 12, 120 x 120 mm	120 x 120 mm
510013	grating EC 10, 100 x 100 mm	100 x 100 mm
510082	grating ECN 10, secured grate, 100 x 100 mm	100 x 100 mm
510020	grating ECS 10, grate 5 mm, secured, 100 x 100 mm	100 x 100 mm
510044	grating EN 10, secured grate, 100 x 100 mm	100 x 100 mm
510327	grating EN 12, secured grate, 120 x 120 mm	120 x 120 mm
510334	grating ER 12, d: 120 mm	d: 120 mm
510051	grating KE 10, 150 x 150 mm	150 x 150 mm
510099	grating KEN 10, secured grate, 150 x 150 mm	150 x 150 mm
510112	grating KEN 11, 150 x 150 mm	150 x 150 mm
510129	grating KES 11, 150 x 150 mm	150 x 150 mm
510068	grating KR 10, grate with down pipe insert, 150 x 150 mm	150 x 150 mm

18. June 2021

DALLMER

510150	grating PVC-EN 10, secured grate, 100 x 100 mm	100 x 100 mm
510037	grating PVC-KEN 10, secured grate, 150 x 150 mm	150 x 150 mm
510365	grating Quadra S 10/120, 120 x 120 mm	
510167	grating Quadra S 10/150, 150 x 150 mm	
510105	grating SEC 10, 150 x 150 mm	150 x 150 mm
510136	grating SEN 10, secured grate, 150 x 150 mm	150 x 150 mm
510143	grating SES 10, massive grate, secured, 150 x 150 mm	150 x 150 mm
495822	perforated collar/gravel guard S 10, d: 103 mm	
495839	self-closing flap-valve S 10, d: 92 mm	d: 92 mm
495846	self-closing flap-valve S 10/12, d: 108,5 mm	