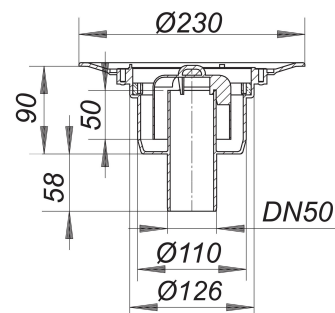


Floor drain body type 40 PE, DN 50/OD 50

Part number: 405135
 GTIN: 4001636405135
 Rebate group: 3



Description:

Floor drain body type 40 PE, DN 50/OD 50
 conforming to DIN EN 1253
 outlet DN 50 vertical

specification

- removable trap insert, 50 mm water seal (conforming to DIN EN 1253)
- temporary blanking plate

polyethylene

The outlet connector can be supplied in ABS to suit British Standard sizes and PE-HD conforming to DIN EN 1519. Please enquire.

Fire protection system 2 (Part No. 515025) applicable.

Flow rates tested to DIN EN 1253:

Nominal diameter	Product standard	Min. flow rate according to norm	Water level according to norm	Flow rate at water level 10 mm	Flow rate at water level 20 mm
DN 50	DIN EN 1253	0.80 l/s	20.00 mm	1.00 l/s	3.00 l/s

Spare parts:

590077 bell trap for drain body 61

590275 Bell trap for floor drain body type 40