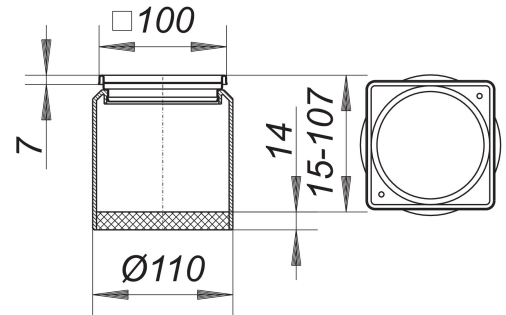


## frame ECS 10, 316 stainless steel, 100 x 100 mm

Part number: 495228  
GTIN: 4001636495228  
Rebate group: 3



### Description:

frame ECS 10, 316 stainless steel, 100 x 100 mm  
used with floor drain types 40, 42 and 46, balcony drain body types 83 and 84  
frame 304 or 316L stainless steel, 100 x 100 mm, with threaded inserts,  
spigot polypropylene, extendable with DN 100 plastic pipe