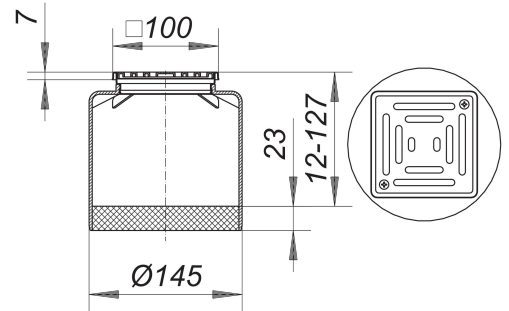


## grating ECN 15, secured grate, 100 x 100 mm

Part number: 500076  
GTIN: 4001636500076  
Rebate group: 3



### Description:

grating ECN 15, secured grate, 100 x 100 mm  
used with floor drains type 54, 55, 57, 58, 61 and 61/1  
spigot polypropylene, frame 304 stainless steel, 100 x 100 mm  
grate 304 stainless steel, secured, load class K 3 (300 kg)