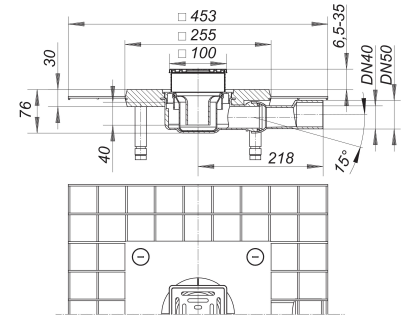


floor drain CeraDrain Plan VC 10, DN 40/DN 50, 100 x 100 mm

Part number: 514028
 GTIN: 4001636514028
 Rebate group: 5



Description:

floor drain CeraDrain Plan VC 10, DN 40/DN 50, 100 x 100 mm

frame 304 stainless steel, 100 x 100 mm
 Applicable where a lower, second tanking system is not being used.

For the highest level of load-bearing.

Flow rates tested to DIN EN 1253:

Nominal diameter	Product standard	Min. flow rate according to norm	Water level according to norm
DN 40	DIN EN 1253	0.60 l/s	20.00 mm
DN 50	DIN EN 1253	0.80 l/s	20.00 mm

Spare parts:

501011 grate E 90, 90 x 90 mm

495587 frame TS 10, 100 x 100 mm

482013 trap insert for TistoPlan