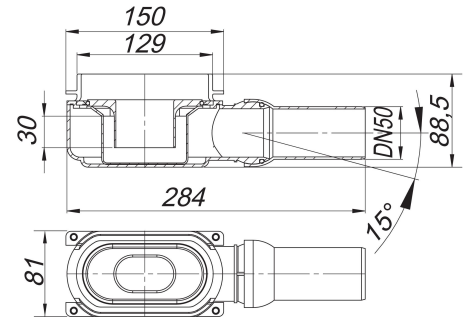
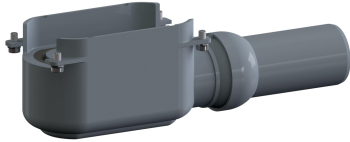


drain body CeraLine Plan, DN 50

Part number: 520791
GTIN: 4001636520791
Rebate group: 8



Description:

drain body CeraLine Plan, DN 50
drain body CeraLine Plan