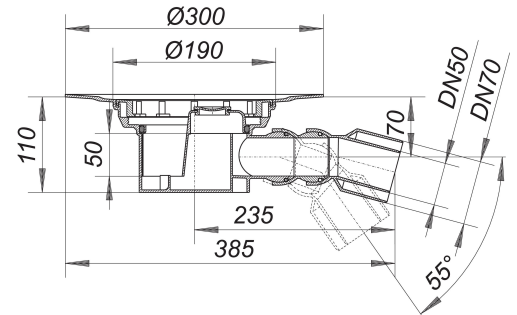


Floor drain body type 54, DN 50/DN 70

Part number: 541055
 GTIN: 4001636541055
 Rebate group: 3



Description:

Floor drain body type 54, DN 50/DN 70
 conforming to DIN EN 1253
 outlet DN 50/DN 70 horizontal, with double ball-joint, adjustable 0 – 55 degrees

specification

- trap insert, 50 mm water seal (conforming to DIN EN 1253)
- rodding eye*
- temporary blanking plate

material

polypropylene

The outlet connector can be supplied in ABS to suit British Standard sizes and PE-HD conforming to DIN EN 1519. Please enquire.

* Access to trap and outlet via rodding eye.

Flow rates tested to DIN EN 1253:

Product standard	Ablaufleistung_Art_der_Messung	Min. flow rate according to norm	Water level according to norm

Spare parts:

590015 screwed plug for 54, 55, 57, 57 AK, 58,

590091 centralising ring for drain bodies type