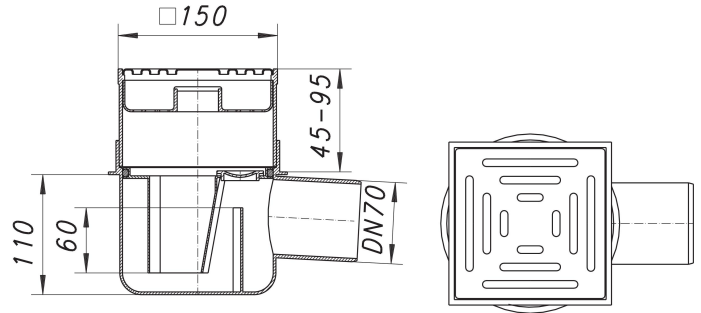


utility drain type 57 AKE, DN 70

Part number: 578945
 GTIN: 4001636578945
 Rebate group: 3



Description:

utility drain type 57 AKE, DN 70
 conforming to DIN EN 1253
 outlet horizontal (3 degrees fall)

specification

- trap insert, 60 mm water seal (conforming to DIN EN 1253)
- height adjustable grating
- hair sieve

material

body polypropylene
 frame polypropylene, 150 x 150 mm
 grate stainless steel, load class K 3 (300 kg)
 DN 70 connects to BS4514 75 mm pipework with 880345 adaptor.

Flow rates tested to DIN EN 1253:

Nominal diameter	Product standard	Min. flow rate according to norm	Water level according to norm
DN 70	DIN EN 1253	0.80 l/s	20.00 mm

Spare parts:

590015 screwed plug for 54, 55, 57, 57 AK, 58,

591050 dirt and hair trap sieve S 15, d: 144 m